



COMPASS & HEADING / BEARING REPEATERS

MD69/22 BULKHEAD MOUNT BEARING COMPASS REPEATER

SKU: F069033

[View Online >](#)

FEATURES

- **Rugged Bulkhead Mounted Bearing Repeater**
- **Includes MD69BR Precision Dual-Scale 36:1 Repeater**
- **Includes Fully Gimballed Bearing Repeater Mount**
- **Includes Integral Terminal Box**
- **Built-in Dimmer Control**
- **NMEA 0183 Digital Connection**
- **Fully sealed to IEC 60945 Exposed Area Classification**

OVERVIEW

The MD69/22 Bulkhead Bearing Repeater Assembly is a complete bracket-mounted Bearing Repeater solution with fitted precision, dual-scale MD69BR Bearing Repeater on gimbal and trunnion mount. Fully sealed to IEC 60945 Exposed Area Classification and suitable for wheelhouse and exterior environments, including weatherproof terminal box to connect with the vessel's cabling.

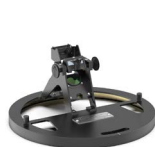
The back plate of the bracket has 6x holes suitable for M8 fixings, for securing to a bulkhead.

The MD69/22 Bulkhead Bearing Repeater Assembly from Marine Data: Flexible in application, easy to install and simple to maintain.

APPLICATIONS

- To locate a rugged Bearing Repeater on an interior or exterior bulkhead where space may be limited and provide terminations for ships cabling
- To provide a platform suitable for taking bearings using a Marine Data Azimuth device or bearing circle

ACCESSORIES



MD69AZI
Azimuth Sight



MD69BC
Bearing Circle



MD60A2K
Telescopic Alidade



MD69CPC
Protective Cover

RELATED PRODUCTS

[MD69/21](#) - Bearing Compass Repeater in Pelorus Stand

[MD69BR](#) - Bearing Compass Repeater on Trunnion Mount



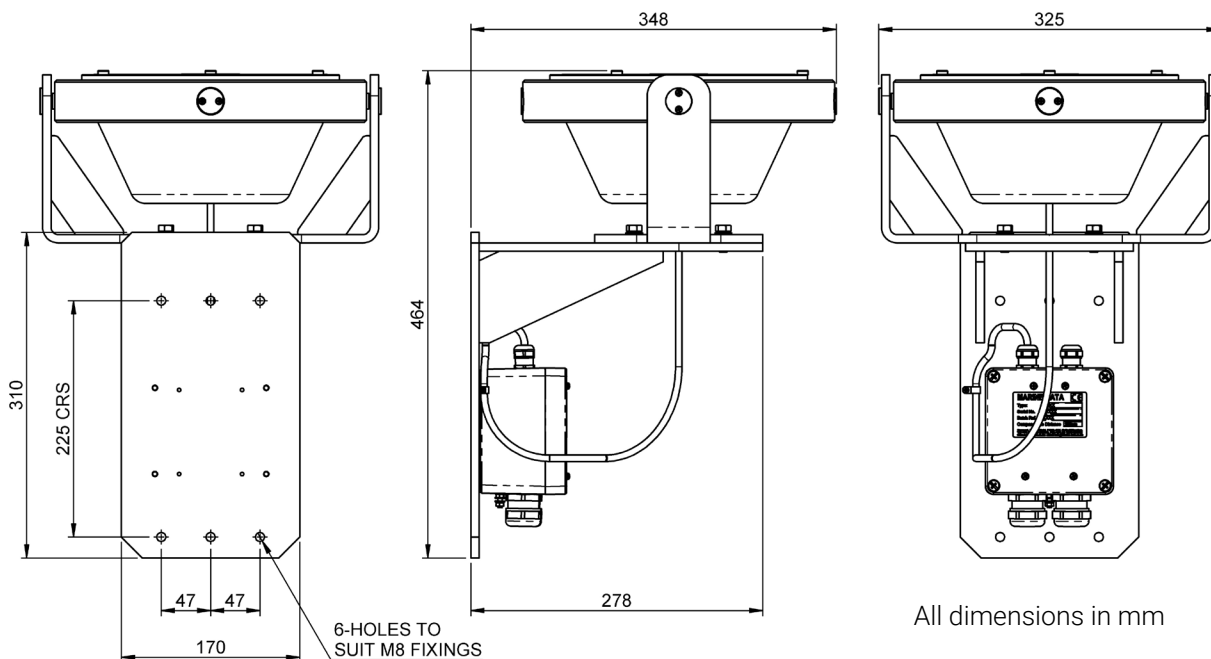
PHYSICAL	
Weight:	10.5 kg including Terminal Box and Repeater
Dimensions:	H 464 mm; W 325 mm; D 348 mm 8mm plate thickness
Repeater Bowl:	Model MD69BR Precision Dual Scale 36:1
Mounting:	6x Ø 8.5 holes suitable for M8 fixings (not supplied)
Connections:	Integral Terminal Box
Construction:	Marine Grade Aluminium, stainless fixings
Finish:	Window Grey (RAL7040) Semi-gloss Powder Coat

ELECTRICAL	
Earth Bond:	M4 stud on cable terminal box
Illumination:	Built-in rotary dimming control 0-24 V dc Red tint illumination colour
Heading Data:	NMEA 0183

ENVIRONMENTAL	
IEC 60945 Equipment Category:	Exposed Area
Operating temp:	-25°C to +55°C
RoHS:	Compliant
Compass Safe Distance:	Standard: 20 cm Steering: 20 cm

OPERATIONAL	
Performance:	± 0.01° resolution
Follow-Up Rate:	20° per second
Gimbal Action:	±45° pitch and roll
Display:	Dual scale 36:1 rotating dial display
Heading LEDs:	Blue = True Heading; Yellow = Magnetic Heading
Resolution:	Outer scale marked at 1°, 5°, 10° & 45°; Inner scale marked at 0.1° & 1°
Illumination:	LED array with local & remote dimming control; red tint
Error Indication:	Loss of valid data: Dial oscillates ±35° about the last known good heading

APPROVALS	
Conforms with:	BS EN 60945:2002 (BSI, 2008) BS EN 61162-1:2016 (BSI, 2016) BS EN 62288:2014 (BSI, 2016) BS ISO 8728:2014 (BSI, 2014) BS ISO 16328:2014 (BSI, 2014) IMO Res. A.424(XI) (IMO, 1979) IMO Res. A.821(19) (IMO, 1995) IMO Res. MSC.36(63) (IMO, 1994) IMO Res. MSC.97(73) (IMO, 2000) IMO Res. MSC191(79) (IMO, 2004)
Type Approval:	DNV



All dimensions in mm



Copyright © 2022 Marine Data Systems Ltd. - MD69-22 Datasheet v06r04

Vittlefields Technology Centre, Forest Road, Newport, Isle of Wight, United Kingdom. PO304LY
Marine Data Systems Ltd. reserves the right to make changes to its products and specifications without prior notice.