



COMPASS & HEADING / BEARING REPEATERS

MD69BR/BO BEARING COMPASS REPEATER BOWL ONLY

SKU: F069032

[View Online >](#)

FEATURES

- **Weatherproof Marinated Bearing Repeater Bowl**
- **Dual scale 36:1 precision concentric dial display**
- **Balanced for taking bearings using our optional sights**
- **Automatic selection and prioritisation of NMEA heading data type**
- **Automatic indication of loss of valid heading data**
- **Automatic detection of a previously lost heading data type without requiring a reset**
- **True / Magnetic Source Indication**
- **Local and Remote dimming control**
- **Fully sealed to IEC 60945 Exposed Area Classification**

OVERVIEW

The MD69BR/BO is a dual scale NMEA-based heading repeater available as a bowl-only option, ideal for retrofit, replacement or panel mounting. Designed for taking celestial and terrestrial bearings.

Equipped with a 36:1 precision dual scale compass card display, digital heading data (ship's heading) may be conveniently displayed at any suitable location on a vessel and is fully sealed to IEC 60945 Exposed Area Classification.

The MD69BR/BO Bearing Repeater Bowl from Marine Data: flexible in application, easy to install and simple to maintain.

APPLICATIONS

- Repeats the heading display of a ship's magnetic or gyro compass at a convenient location on a vessel
- Allows celestial and terrestrial bearings to be taken when used in conjunction with the MD69AZI Azimuth Sight or the MD69BC Bearing Circle. The MD60A2K Telescopic Alidade is recommended for making detailed azimuth measurements

ACCESSORIES



MD69AZI
Azimuth Sight



MD69BC
Bearing Circle



MD60A2K
Telescopic Alidade



MD69CPC
Protective Cover

RELATED PRODUCTS

[MD69BR](#) - Trunnion Mounted Bearing Compass Repeater

[MD69/21](#) - Pelorus Stand Assembly with Bearing Compass Repeater

[MD69/22](#) - Bulkhead Mounted Bearing Compass Repeater



PHYSICAL

Weight:	7.0 kg (optimally balanced for Azimuth Sight)
Dimensions:	H 127 mm W 271 mm; Body Ø 246 mm Outer dial Ø 185 mm; Inner dial Ø 95 mm Verge ring 20 mm (visible)
Mounting:	Gimbal & Trunnion; Pelorus Stand and Bulkhead Bracket options available
Connections:	Multicore cable through watertight gland
Construction:	Aluminium alloy enclosure
Finish:	RAL7040 Window Grey, semi-gloss

ELECTRICAL

Power Supply:	24 V dc 8 W nominal (22-31 V dc)
Data input:	RS422 NMEA 0183; Automatic Baud rate detection (4800 to 38400)
Data sentences:	HDT, HDG and HDM; selected in descending order of priority
Cable:	2.5 m multicore data cable tail

ENVIRONMENTAL

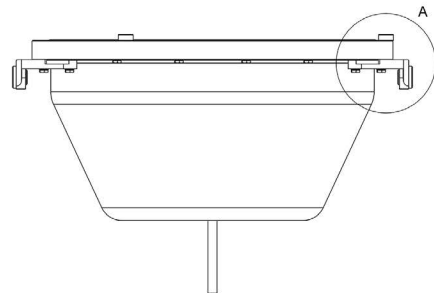
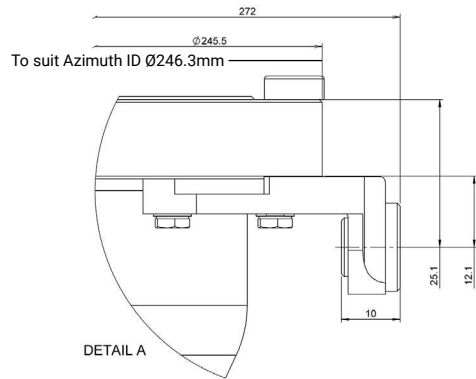
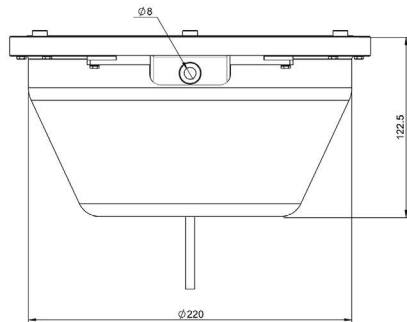
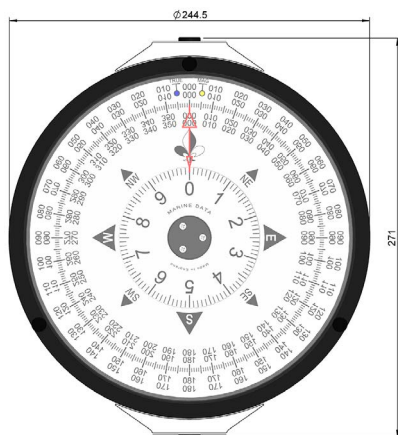
IEC 60945 Equipment Category:	Exposed Area
Operating temp:	-25°C to +55°C
RoHS:	Compliant
Compass Safe Distance:	Standard: 20 cm Steering: 20 cm

OPERATIONAL

Performance:	± 0.01° resolution
Follow-Up Rate:	20° per second
Gimbal Action:	±45° pitch and roll
Display:	Dual scale 36:1 rotating dial display
Heading LEDs:	Blue = True Heading; Yellow = Magnetic Heading
Resolution:	Outer scale marked at 1°, 5°, 10° & 45°; Inner scale marked at 0.1° & 1°
Illumination:	LED array with local & remote dimming control; red tint
Error Indication:	Loss of valid data: Dial oscillates ±35° about the last known good heading

APPROVALS

Conforms with:	BS EN 60945:2002 (BSI, 2008) BS EN 61162-1:2016 (BSI, 2016) BS EN 62288:2014 (BSI, 2016) BS ISO 8728:2014 (BSI, 2014) BS ISO 16328:2014 (BSI, 2014) IMO Res. A.424(XI) (IMO, 1979) IMO Res. A.821(19) (IMO, 1995) IMO Res. MSC.36(63) (IMO, 1994) IMO Res. MSC.97(73) (IMO, 2000) IMO Res. MSC191(79) (IMO, 2004)
Type Approval:	DNV



Copyright © 2022 Marine Data Systems Ltd. - MD69BR-B0 Datasheet v06r05
 Vittlefields Technology Centre, Forest Road, Newport, Isle of Wight, United Kingdom. PO304LY
 Marine Data Systems Ltd. reserves the right to make changes to its products and specifications without prior notice.