

## COMPASS &amp; HEADING / BEARING REPEATERS

# MD69BR TRUNNION MOUNT BEARING COMPASS REPEATER

SKU: F069018

[View Online >](#)

## OVERVIEW

The MD69BR is a dual scale NMEA-based heading repeater designed for taking celestial and terrestrial bearings. Equipped with a 36:1 precision dual scale compass card display, digital heading data may be conveniently displayed at any suitable location on a vessel.

With a range of mounting options and accessories, the MD69BR may be bulkhead, surface or stand mounted. Fully sealed to IEC 60945 Exposed Area Classification and includes weatherproof terminal box.

The MD69BR Bearing Repeater from Marine Data: flexible in application, easy to install and simple to maintain.

## APPLICATIONS

- Repeats the heading display of a ship's magnetic or gyro compass at a convenient location on a vessel
- Allows celestial and terrestrial bearings to be taken when used in conjunction with the MD69AZI Azimuth Sight or the MD69BC Bearing Circle. The MD60A2K Telescopic Alidade is recommended for making detailed azimuth measurements

## ACCESSORIES



**MD69AZI**  
Azimuth Sight



**MD69BC**  
Bearing Circle



**MD60A2K**  
Telescopic Alidade



**MD69CPC**  
Protective Cover

## RELATED PRODUCTS

[MD69/21](#) - Bearing Compass Repeater Pelorus Stand Assembly

[MD69/22](#) - Bulkhead Mounted Bearing Compass Repeater

## FEATURES

- **Weatherproof Marinised Bearing Repeater**
- **Dual scale 36:1 precision concentric dial display**
- **Automatic selection and prioritisation of NMEA heading data type**
- **Automatic indication of loss of valid heading data**
- **Automatic detection of a previously lost heading data type without requiring a reset**
- **True / Magnetic Source Indication**
- **Local and Remote dimming control**
- **Fully sealed to IEC 60945 Exposed Area Classification**



## PHYSICAL

<b>Weight:</b>	7.0 kg (optimally balanced for Azimuth Sight)
<b>Dimensions:</b>	H 164 mm W 325 mm; Body Ø 246 mm Outer dial Ø 185 mm; Inner dial Ø 95 mm Verge ring 20 mm (visible)
<b>Mounting:</b>	Gimbal & Trunnion (standard); Pelorus Stand and Bulkhead Bracket options available
<b>Connections:</b>	Multicore cable through watertight gland
<b>Construction:</b>	Aluminium alloy enclosure
<b>Finish:</b>	Window Grey (RAL7040) Semi-gloss Powder Coat

## ELECTRICAL

<b>Power Supply:</b>	24 V dc 8 W nominal (22-31 V dc)
<b>Data input:</b>	RS422 NMEA 0183; Automatic Baud rate detection (4800 to 38400)
<b>Data sentences:</b>	HDT, HDG and HDM; selected in descending order of priority
<b>Cable:</b>	2.5 m multicore data cable tail

## APPROVALS

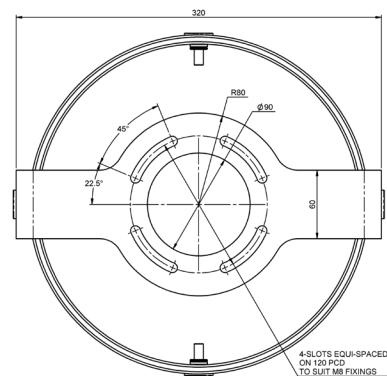
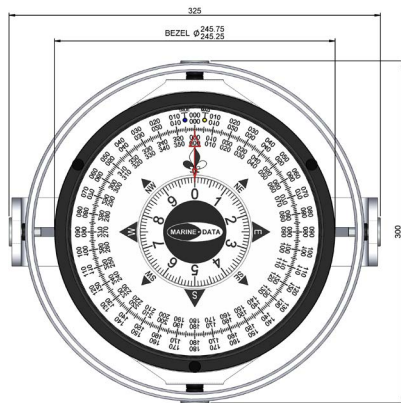
<b>Conforms with:</b>	BS EN 60945:2002 (BSI, 2008) BS EN 61162-1:2016 (BSI, 2016) BS EN 62288:2014 (BSI, 2016) BS ISO 8728:2014 (BSI, 2014) BS ISO 16328:2014 (BSI, 2014) IMO Res. A.424(XI) (IMO, 1979) IMO Res. A.821(19) (IMO, 1995) IMO Res. MSC.36(63) (IMO, 1994) IMO Res. MSC.97(73) (IMO, 2000) IMO Res. MSC191(79) (IMO, 2004)
<b>Type Approval:</b>	DNV

## OPERATIONAL

<b>Performance:</b>	± 0.01° resolution
<b>Follow-Up Rate:</b>	20° per second
<b>Gimbal Action:</b>	±45° pitch and roll
<b>Display:</b>	Dual scale 36:1 rotating dial display
<b>Heading LEDs:</b>	Blue = True Heading; Yellow = Magnetic Heading
<b>Resolution:</b>	Outer scale marked at 1°, 5°, 10° & 45°; Inner scale marked at 0.1° & 1°
<b>Illumination:</b>	LED array with local & remote dimming control; red tint
<b>Error Indication:</b>	Loss of valid data: Dial oscillates ±35° about the last known good heading

## ENVIRONMENTAL

<b>IEC 60945 Equipment Category:</b>	Exposed Area
<b>Operating temp:</b>	-25°C to +55°C
<b>RoHS:</b>	Compliant
<b>Compass Safe Distance:</b>	Standard: 20 cm Steering: 20 cm
<b>Shock:</b>	STANAG 4549 - NS (0.03; 3.0; 300)
<b>Vibration:</b>	MIL-Std-167-1A / IEC 60945
<b>EMC:</b>	MIL-Std-461E / IEC 60945
<b>Thermal:</b>	MIL-Std-810F / IEC 60945
<b>Noise:</b>	MIL-Std-1474D ≤ 53 dB



Copyright © 2022 Marine Data Systems Ltd. - MD69BR Datasheet v06r04

Vittlefields Technology Centre, Forest Road, Newport, Isle of Wight, United Kingdom. PO304LY  
Marine Data Systems Ltd. reserves the right to make changes to its products and specifications without prior notice.