



COMPASS & HEADING / DIGITAL REPEATERS

MD71HR DIGITAL COMPASS HEADING REPEATER DISPLAY

SKU: F071010

[View Online >](#)

FEATURES

- **Compact Size**
- **OLED Display for Super Bright, High Contrast Display**
- **Six button membrane-type keypad**
- **Low Power Consumption**
- **NMEA 0183 Input**
- **Displays True or Magnetic Source**
- **Rugged, Marinised Construction**
- **Supports NMEA2000 / CAN Bus**

OVERVIEW

The MD71HR is a modular NMEA-based OLED Digital Heading Repeater, housed in a robust, compact aluminium enclosure with a multi-function keypad. The compact 1/4 DIN size makes it an ideal addition to any work boat, enabling digital heading data (ship's heading) to be displayed and monitored at any location on a wide range of vessel types.

Compact and rugged, the MD71HR offers a heading repeater solution for locations where space is limited and may be either panel mounted or flat surface mounted.

Finished in Jet Black (RAL9005) Fine-texture Powder Coat to complement other marine navigation equipment.

The MD71HR from Marine Data: flexible in application, easy to install and simple to maintain.

APPLICATIONS

- Repeats the display of a ship's magnetic or gyro compass at any convenient location on a vessel
- Provides the heading display in an Electro-magnetic Compass System

ACCESSORIES

- Panel Mounting Kit (Supplied)
- MD71TB - Trunion Mounting Bracket
- MD01PMD - Remote Rotary Dimmer

RELATED PRODUCTS

- [MD71MFD](#) - Multi-Function Display (Same Enclosure)
- Transmitting Heading Device (THD) Systems ([TMC](#) and [EMC](#))
- [MD75HR](#) - Large Format Digital Heading Repeater



PHYSICAL	
Weight:	0.4 kg
Dimensions:	H 96 mm; W 96 mm; D 35 mm; Allow 80 mm at rear for cable; Fascia 96 x 96 x 6 mm deep
Mounting:	Panel mount (standard) Surface mount (option)
Connections:	1x 15-way D-type connector; M4 Earth stud
Construction:	Aluminium alloy enclosure
Finish:	Jet Black (RAL9005) Fine-texture Powder Coat

ELECTRICAL	
Power Supply:	12-24 V dc; 2.5 W max (0.1 A; 24 V dc) Low Power indication trigger: 9.0 V Low Power indication cancel: 11.5 V
Data input:	Digital RS422; NMEA 0183 (IEC 61162-1) compliant; 4800 / 9600 / 19200 / 38400 Baud; Auto selecting
Data sentences:	THS, HDT, HDG and HDM; detected on start-up in descending order of priority
Data Output:	Visual OLED Display and Status Indicator Data: RS422 (IEC 61162-1) NMEA 0183
Remote Dim:	Optional; 0-24 V dc (with respect to supply negative)
Cable:	Supplied with 2.5 m multicore data cable

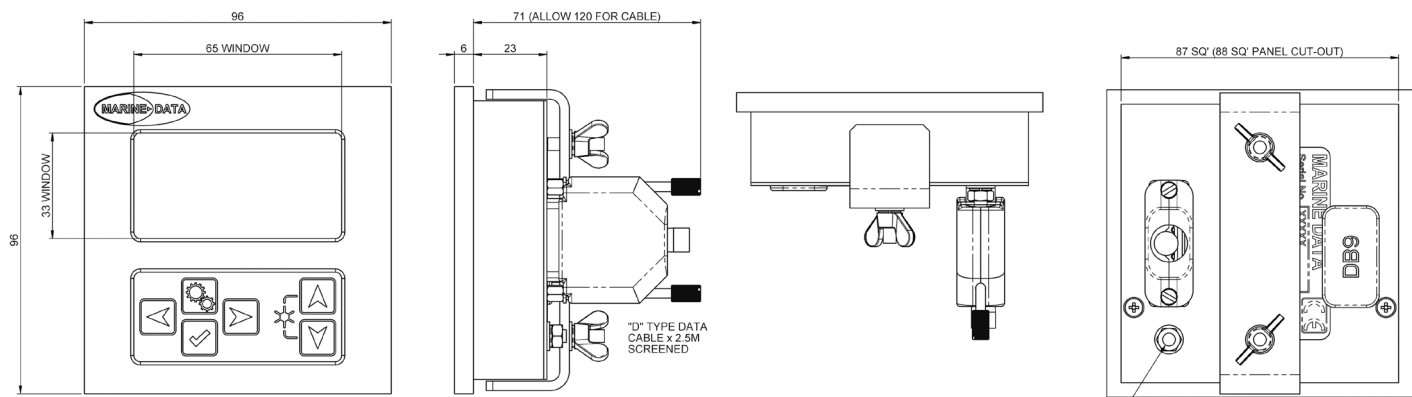
OPERATIONAL	
Performance:	Dependant on received data
Display:	2.7" 128 x 64 Pixel OLED – Yellow
Error Indication:	Fixed message displayed on-screen
MTBF:	30,000 hours

ENVIRONMENTAL	
IEC 60945 Equipment Category:	Protected Area
Operating temp:	-15°C to +55°C
Magnetic	Magnetic Permeability: Category 'A'
RoHS:	Compliant
Compass Safe Distance:	Standard: 20cm Steering: 20cm

APPROVALS	
Conforms with:	BS EN 60945:2002 (BSI, 2008) BS EN 61162-1:2016 (BSI, 2016) BS EN 62288:2014 (BSI, 2016) BS ISO 8728:2014 (BSI, 2014) BS ISO 16328:2014 (BSI, 2014) IMO Res. A.424(XI) (IMO, 1979) IMO Res. A.821(19) (IMO, 1995) IMO Res. MSC.36(63) (IMO, 1994) IMO Res. MSC.97(73) (IMO, 2000) IMO Res. MSC191(79) (IMO, 2004)
Type Approval:	DNV

ADDITIONAL	
Option:	NMEA2000 / CAN Bus Input
Option:	Front panel weatherproof sealing

All dimensions in mm



Copyright © 2022 Marine Data Systems Ltd. - MD71HR Datasheet v06r04
 Vittlefields Technology Centre, Forest Road, Newport, Isle of Wight, United Kingdom. PO304LY
 Marine Data Systems Ltd. reserves the right to make changes to its products and specifications without prior notice.