



## TRANSMITTING HEADING DEVICES / TMC &amp; EMC SYSTEM

# MD71THD DISPLAY HEAD UNIT FOR TMC & EMC SYSTEMS

SKU: F071007

[View Online >](#)

## FEATURES

- **The Control and Display Unit supplied for a Marine Data Transmitting Heading Device (THD) System (type EMC or TMC)**
- **Automatic compass sensor calibration (TMC)**
- **Displays Heading with True or Magnetic Source Indication**
- **High Contrast OLED Display**
- **2x NMEA 0183 outputs at the rear**

## OVERVIEW

Transmitting Heading Device (THD) Systems are becoming increasingly popular as a backup or alternative to a gyro compass. Marine Data offers both Transmitting Magnetic Compass (TMC) or Electromagnetic Compass (EMC) solutions. The TMC echoes the ship's magnetic compass in its binnacle; the EMC directly detects the Earth's magnetic field as a fully independent electromagnetic compass.

The menu-driven MD71THD Control and Display Unit provides easy calibration of the magnetic heading sensor and allows the manual input of variation and deviation corrections. It provides a crystal clear digital display of heading in a compact design.

The MD71THD Control and Display Unit from Marine Data: flexible in application, easy to install and simple to maintain.

## APPLICATIONS

- Integrates all the key components in a Marine Data Transmitting Heading (THD) System
- Calibrates the magnetic heading sensor and allows the manual input of variation and deviation corrections
- Provides a NMEA 0183 output of Heading for forwarding to Compass Repeaters and other equipment

## ACCESSORIES

- MD71TB - Trunnion Mounting Bracket
- MD01PMD - Remote Rotary Dimmer

## RELATED PRODUCTS

- Supplied as part of the [MD71TMC](#) System
- Supplied as part of the [MD71EMC](#) System

PHYSICAL	
<b>Weight:</b>	0.4 kg
<b>Dimensions:</b>	H 96 mm; W 96 mm; D 35 mm; Allow 80 mm at rear for cable; Fascia 96 x 96 x 6 mm deep
<b>Mounting:</b>	Panel mount (standard) Surface mount (option)
<b>Connections:</b>	1x 15-way D-type connector; 1x 9-way D-type socket connector; M4 Earth stud
<b>Construction:</b>	Aluminium alloy enclosure
<b>Finish:</b>	Jet Black (RAL9005) Fine-texture Powder Coat

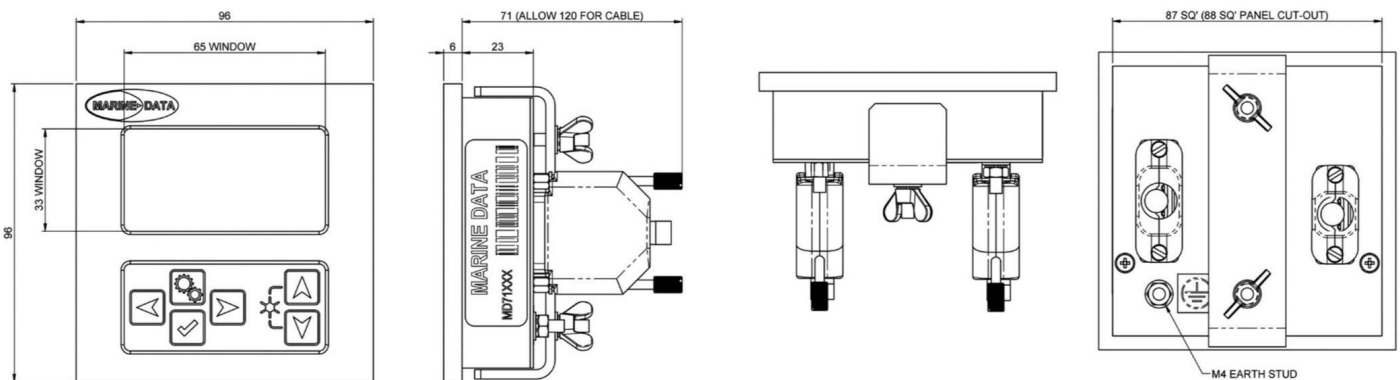
ELECTRICAL	
<b>Power Supply:</b>	24 V dc (18-32 V dc); 3 W max Main & backup dual power connections Low Power alarm trigger: 9.0 V Low Power alarm cancel: 11.5 V
<b>Data input:</b>	Digital RS422; NMEA 0183 (IEC 61162-1) Compliant; 4800 / 9600 / 19200 / 38400 Baud, selectable
<b>Data sentences:</b>	\$HCHDT; \$HCHDG; \$HCHDM
<b>Data Output:</b>	Visual OLED Display and Status Indicator 2 x RS422 NMEA 0183 Heading Data Outputs; Audible Alarm
<b>Remote Dim:</b>	Optional; 0-24 V dc (with respect to supply negative)
<b>Cable:</b>	Supplied with 2.5 m multicore data cable, 15-way D-type connector to bare tails

OPERATIONAL	
<b>Performance:</b>	Heading Accuracy: TMC: $<\pm 1.0^\circ$ ; EMC: $<\pm 1.0^\circ$
<b>Display:</b>	2.7" 128 x 64 Pixel OLED – Yellow
<b>User Interface:</b>	6 button membrane keypad
<b>Error Indication:</b>	Flashing Warning Message + Audible Alarm Fixed Warning Message (acknowledged alarm)
<b>MTBF:</b>	30,000 hours

ENVIRONMENTAL	
<b>IEC 60945 Equipment Category:</b>	Protected Area
<b>Operating temp:</b>	-15°C to +55°C
<b>Magnetic</b>	Magnetic Permeability: Category 'A'
<b>RoHS:</b>	Compliant
<b>Compass:</b>	Safe Distance 50 cm

APPROVALS	
<b>Conforms with:</b>	IEC 60945; IEC 61162-1

All dimensions in mm



Copyright © 2021 Marine Data Systems Ltd. - MD71THD Datasheet v06r02

Vittlefields Technology Centre, Forest Road, Newport, Isle of Wight, United Kingdom. PO304LY  
Marine Data Systems Ltd. reserves the right to make changes to its products and specifications without prior notice.