



COMPASS & HEADING / DIGITAL REPEATERS

MD74HR DIGITAL COMPASS REPEATER DISPLAY

SKU: F074021

[View Online >](#)

FEATURES

- **Back-lit LCD Heading Display and Heading Type with red tint**
- **High visibility red LED Turn Indicator**
- **No internal moving parts**
- **NMEA 0183 Digital Input**
- **Automatic selection and prioritisation of NMEA heading data type**
- **Automatic indication of loss of valid heading data**
- **Automatic detection of previously lost heading data without requiring a reset**
- **True / Magnetic Source Indication**
- **Rugged Construction**
- **Local Dimming Control**

OVERVIEW

The MD74HR is a NMEA-based heading repeater with an LCD display. Digital heading data (ship's heading) may be conveniently displayed at any location on a vessel. The MD74HR features a high visibility LED Turn Indicator which can display either Rate of Turn or Course to Steer. Compact and rugged, the MD74HR offers a heading repeater solution for locations where the available space is limited and may be either bulkhead or panel mounted. Finished in jet black to complement other marine navigation equipment.

The MD74HR Heading Repeater from Marine Data: compact and rugged, flexible in application, easy to install and simple to maintain.

APPLICATIONS

- Repeats the heading display of a ship's magnetic or gyro compass at any convenient location on a vessel

ACCESSORIES

- MD74TB - Bulkhead Mounting Kit
- MD74DIM - Remote Dimming Control

RELATED PRODUCTS

- [MD74HR/W](#) - Weatherproof Digital Heading Repeater
- The complete range of Marine Data [Heading Repeaters](#)
- Transmitting Heading Device (THD) System ([TMC](#) and [EMC](#))



PHYSICAL

Weight:	1.0 kg
Dimensions:	H 137 mm; W 250 mm; D 78 mm (on bracket) Fascia: 192 x 97 x 6 mm
Mounting:	Panel mount or Bulkhead mount (accessory)
Connections:	1 x 5-way screened cable to D-sub connector
Construction:	Aluminium alloy enclosure
Finish:	Jet Black (RAL9005) Fine-texture Powder Coat

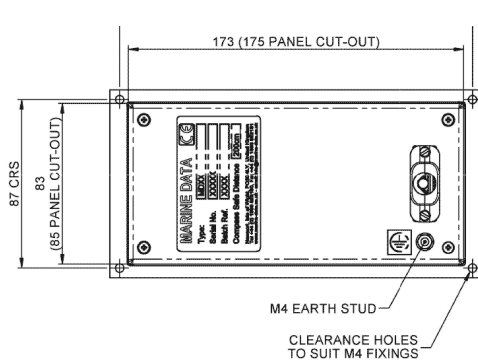
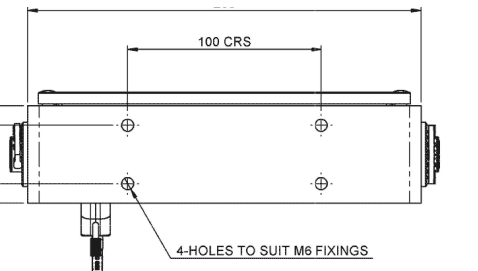
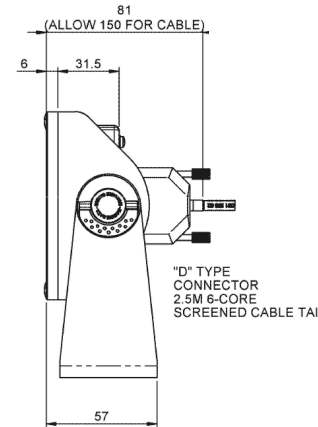
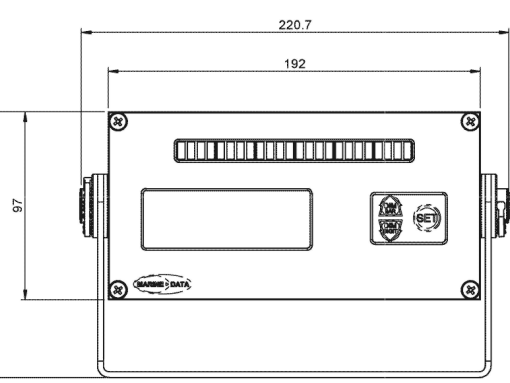
ELECTRICAL

Power Supply:	24 V dc nominal; 4 watts max; 18-32 V dc
Data Protocol:	Digital RS422 NMEA 0183; 4800 / 9600 / 19200 / 38400 Baud, auto-selecting
Data sentences:	THS, HDT, HDG and HDM; detected on start-up in descending order of priority
Cable:	2.5 m multicore data cable with D-sub connector to bare tail

APPROVALS

Conforms with:	BS EN 60945:2002 (BSI, 2008) BS EN 61162-1:2016 (BSI, 2016) BS EN 62288:2014 (BSI, 2016) BS ISO 8728:2014 (BSI, 2014) BS ISO 16328:2014 (BSI, 2014) IMO Res. A.424(XI) (IMO, 1979) IMO Res. A.821(19) (IMO, 1995) IMO Res. MSC.36(63) (IMO, 1994) IMO Res. MSC.97(73) (IMO, 2000) IMO Res. MSC191(79) (IMO, 2004)
-----------------------	--

Type Approval:	DNV
-----------------------	-----



Copyright © 2022 Marine Data Systems Ltd. - MD74HR Datasheet v06r04
 Vittlefields Technology Centre, Forest Road, Newport, Isle of Wight, United Kingdom. PO304LY
 Marine Data Systems Ltd. reserves the right to make changes to its products and specifications without prior notice.

All dimensions in mm