



COMPASS & HEADING / DIGITAL REPEATERS

MD74HR/W WEATHERPROOF DIGITAL COMPASS REPEATER DISPLAY

SKU: F074031

[View Online >](#)

FEATURES

- **Back-lit LCD Heading Display and Heading Type with red tint**
- **High visibility red LED Turn Indicator**
- **No internal moving parts**
- **NMEA 0183 Digital Input**
- **Automatic selection and prioritisation of NMEA heading data type**
- **Automatic indication of loss of valid heading data**
- **Automatic detection of previously lost heading data without requiring a reset**
- **True / Magnetic Source Indication**
- **Rugged Construction**
- **Local Dimming Control**
- **Fully sealed to IEC 60945 Exposed Area Classification**

OVERVIEW

The MD74HR/W is the weatherproof version of the MD74HR NMEA-based heading repeater with an LCD display. Digital heading data (ship's heading) may be conveniently displayed at any location on a vessel. The MD74HR/W features a high visibility LED Turn Indicator which can display either Rate of Turn or Course to Steer.

Compact and rugged, the MD74HR/W offers a heading repeater solution for locations where the available space is limited. Fully sealed to IEC 60945 Exposed Area Classification and may be either bulkhead or panel mounted. Finished in Window Grey (RAL7040) Semi-gloss Powder Coat to complement other marine navigation equipment.

The MD74HR/W Heading Repeater from Marine Data: compact and rugged, flexible in application, easy to install and simple to maintain.

APPLICATIONS

- Repeats the heading display of a ship's magnetic or gyro compass at any convenient location on a vessel

ACCESSORIES

- MD74TB - Bulkhead Mounting Kit
- MD74DIM - Remote Dimming Control

RELATED PRODUCTS

- [MD74HR](#) - Digital Heading Repeater (Standard)
- [MD75HR](#) - Large Format Digital Heading Repeater
- The complete range of Marine Data [Heading Repeaters](#)
- Transmitting Heading Device (THD) System ([TMC](#) and [EMC](#))



PHYSICAL

Weight:	1.0 kg
Dimensions:	H 137 mm; W 250 mm; D 78 mm (on bracket) Fascia: 192 x 97 x 6 mm
Mounting:	Panel mount or Bulkhead mount (accessory)
Connections:	1 x 5-way screened cable to D-sub connector
Construction:	Aluminium alloy enclosure
Finish:	Window Grey (RAL7040) Semi-gloss Powder Coat

ELECTRICAL

Power Supply:	24 V dc nominal; 4 watts max; 18-32 V dc
Data input:	Digital RS422 NMEA 0183; 4800 / 9600 / 19200 / 38400 Baud, auto-selecting
Data sentences:	THS, HDT, HDG and HDM; detected on start-up in descending order of priority
Cable:	2.5 m multicore data cable with D-sub connector to bare tail

ENVIRONMENTAL

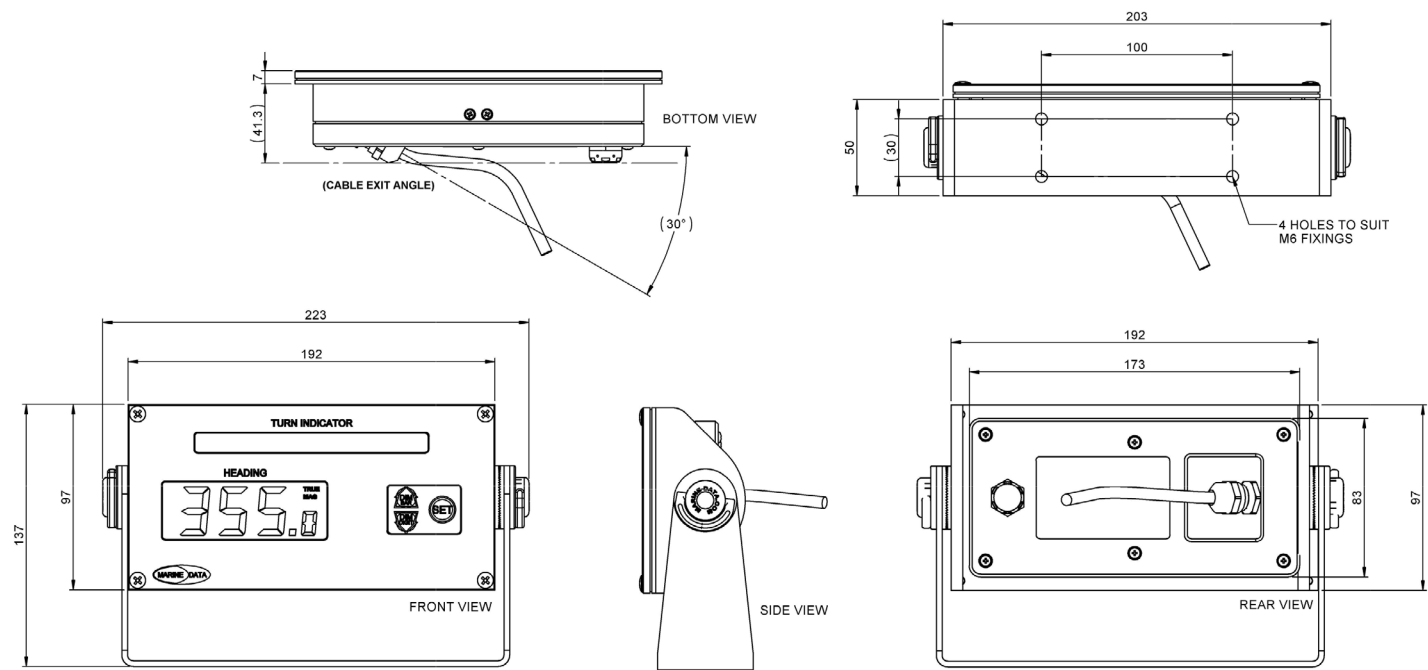
IEC 60945 Equipment Category:	Exposed Area
Operating temp:	-25°C to +55°C
Magnetic Permeability:	Category 'A'
RoHS:	Compliant
Compass Safe Distance:	Standard: 85cm; Steering: 45cm

OPERATIONAL

Performance:	± 0.1° resolution
Follow-Up Rate:	>20° per second
LCD Display:	Numeric Heading Data with Heading Type
LED Display:	Visual Turn Indicator (24 segments)
Resolution:	LCD Display ±0.1°, LED Turn Indicator: 1°
Illumination:	LCD Backlight: Red tint; LED Display: Red; variable dimming
Loss of Valid Data:	Display shows '.0'. Illumination turned off

APPROVALS

Conforms with:	BS EN 60945:2002 (BSI, 2008) BS EN 61162-1:2016 (BSI, 2016) BS EN 62288:2014 (BSI, 2016) BS ISO 8728:2014 (BSI, 2014) BS ISO 16328:2014 (BSI, 2014) IMO Res. A.424(XI) (IMO, 1979) IMO Res. A.821(19) (IMO, 1995) IMO Res. MSC.36(63) (IMO, 1994) IMO Res. MSC.97(73) (IMO, 2000) IMO Res. MSC191(79) (IMO, 2004)
Type Approval:	DNV



Copyright © 2022 Marine Data Systems Ltd. - MD74HR-W Datasheet v06r06
 Vittlefields Technology Centre, Forest Road, Newport, Isle of Wight, United Kingdom. PO304LY
 Marine Data Systems Ltd. reserves the right to make changes to its products and specifications without prior notice.