



COMPASS & HEADING / DIAL REPEATERS

MD77HR DIAL COMPASS REPEATER DISPLAY

SKU: F077052

[View Online >](#)

FEATURES

- **Traditional Marine Compass Card Display**
- **Main and Emergency power supplies; with monitoring of both**
- **Automatic Baud Rate Detection**
- **Automatic indication of loss of valid heading data**
- **Automatic detection of a previously lost heading data type without requiring a reset**
- **Prioritisation of heading type**
- **Local and Remote Dimming Control**
- **Rugged, Marinised Aluminium Construction**

OVERVIEW

The MD77HR is a NMEA-based Compact Heading Repeater. Digital heading data (ship's heading) may be conveniently displayed and monitored at any location on a vessel.

When multiple heading sources are available in the heading data (e.g. True and Magnetic) the MD77HR allows the user to select the heading source and indicates which heading source is in current use.

Compact and rugged, the MD77HR offers a heading repeater solution for locations where the available space is limited and may be either bulkhead or panel mounted. Finished in Jet Black (RAL9005) Fine-texture Powder Coat to complement other marine navigation equipment.

The MD77HR from Marine Data: flexible in application, easy to install and simple to maintain.

APPLICATIONS

- The MD77HR displays True or Magnetic Heading Data transmitted from marine equipment compatible with NMEA 0183 (IEC 61162-1) (Gyro compass, TMC, EMC, GPS Compass etc.)

ACCESSORIES

- Panel Mounting Kit (Supplied)
- Bulkhead Bracket Mounting Kit
- Remote Dimmer Control (0-24 V dc)

RELATED PRODUCTS

- The complete range of Marine Data [Heading Repeaters](#)
- Transmitting Heading Device (THD) Systems ([TMC](#) and [EMC](#))



PHYSICAL

Weight:	1.25 kg (with bulkhead mounting bracket)
Dimensions:	H 166mm; W 200 mm; D 81mm; Fascia 144 x 144 mm; Dial Ø 118 mm
Mounting:	Panel or optional Bulkhead mounted
Connections:	1x data cable to 15-pin D-sub plug
Construction:	Aluminium alloy enclosure
Finish:	Jet Black (RAL9005) Fine-texture Powder Coat

ELECTRICAL

Power Supply:	24 V dc 4 W nominal (18-32 V dc)
Data Input:	Digital RS422
Data Protocol:	Digital RS422 NMEA 0183; 4800 / 9600 / 19200 / 38400 Baud, auto-selecting
Data Sentences:	THS, HDT, HDG and HDM; detected on start-up in descending order of priority
Cable:	2.5 m multicore data cable

OPERATIONAL

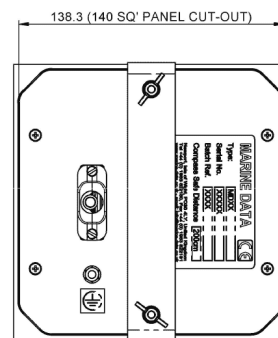
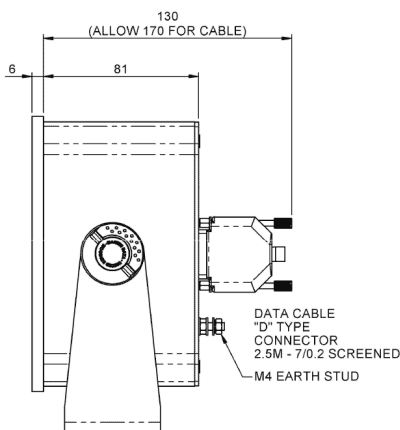
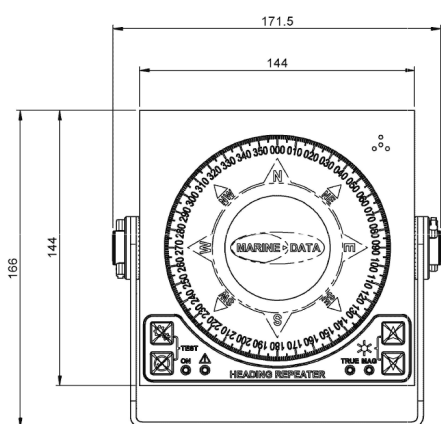
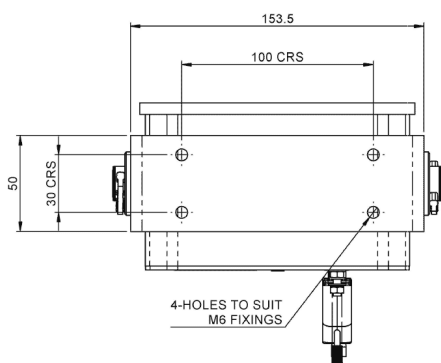
Performance:	± 0.5° accuracy
Follow Up Rate:	>20° per second
Dial Illumination:	LED array with local and remote dimming control. Red tint
Dial Resolution:	Scale marked at 1°, 5°, 10° & 45°
Display:	Rotating compass card dial display
Power supply failure:	Visible indication
Error Indication:	Dial oscillates ±35°
Heading Type:	LED indicator for heading source type: Gyro Compass / Magnetic Compass
MTBF:	30,000 hours

APPROVALS

Conforms with:	BS EN 60945:2002 (BSI, 2008) BS EN 61162-1:2016 (BSI, 2016) BS EN 62288:2014 (BSI, 2016) BS ISO 8728:2014 (BSI, 2014) BS ISO 16328:2014 (BSI, 2014) IMO Res. A.424(XI) (IMO, 1979) IMO Res. A.821(19) (IMO, 1995) IMO Res. MSC.36(63) (IMO, 1994) IMO Res. MSC.97(73) (IMO, 2000) IMO Res. MSC191(79) (IMO, 2004)
Type Approval:	DNV

ENVIRONMENTAL

IEC 60945 Equipment Category:	Protected Area
Operating temp:	-15°C to +55°C
RoHS:	Compliant
Compass Safe Distance:	Standard: 85cm; Steering: 45cm



All dimensions in mm



Copyright © 2022 Marine Data Systems Ltd. - MD77HR Datasheet v06r04

Vittlefields Technology Centre, Forest Road, Newport, Isle of Wight, United Kingdom. PO304LY
Marine Data Systems Ltd. reserves the right to make changes to its products and specifications without prior notice.